



TTI

Service Quality Innovation

TTI Filter Cart

A portable filtration solution for decontaminating systems and transferring oils.





Service Quality Innovation

Filter Cart

Filter Application

- Clean-up of contaminated systems
- Treatment of new or repaired systems
- Pre-filtration of new oil
- Directly transfer oil without exposing it to contaminants

Standard Features

- Dial pressure gauges
- Pop-up filter replacement indicators
- Manual filter bypass
- Minimess® sample valve
- Y strainer
- UL listed motor, and electricals
- 1" and 3/4" hoses

Customizable Features

- Fluid flow rate (2GPM, 5GPM, 10GPM)
- Hose connectors (ISO-A, ISO-B, MNPT)
- Filters (3µm, 6µm, 12µm, 25µm, Water Removal)

Performance

- The TTI filter cart can filter oils up to ISO VG 680 at 40°C/104°F

Construction Materials

- Frame: Carbon Steel
- Filter Heads: Aluminum
- Fittings: Zinc plated steel, SS, Brass
- Pumps: Aluminum, Steel
- Hoses: Clear PVC with Steel Wire
- Gaskets: Buna-N

Filter Indicators

- Filter indicator pops at 20 psid/1.5 bar to notify the filters need to be replaced.

Pump Relief

- Opens at 65 psid/4.14 bar

Weight

- Approximately 125lbs/57kg, depending on options selected.

Overall Dimensions

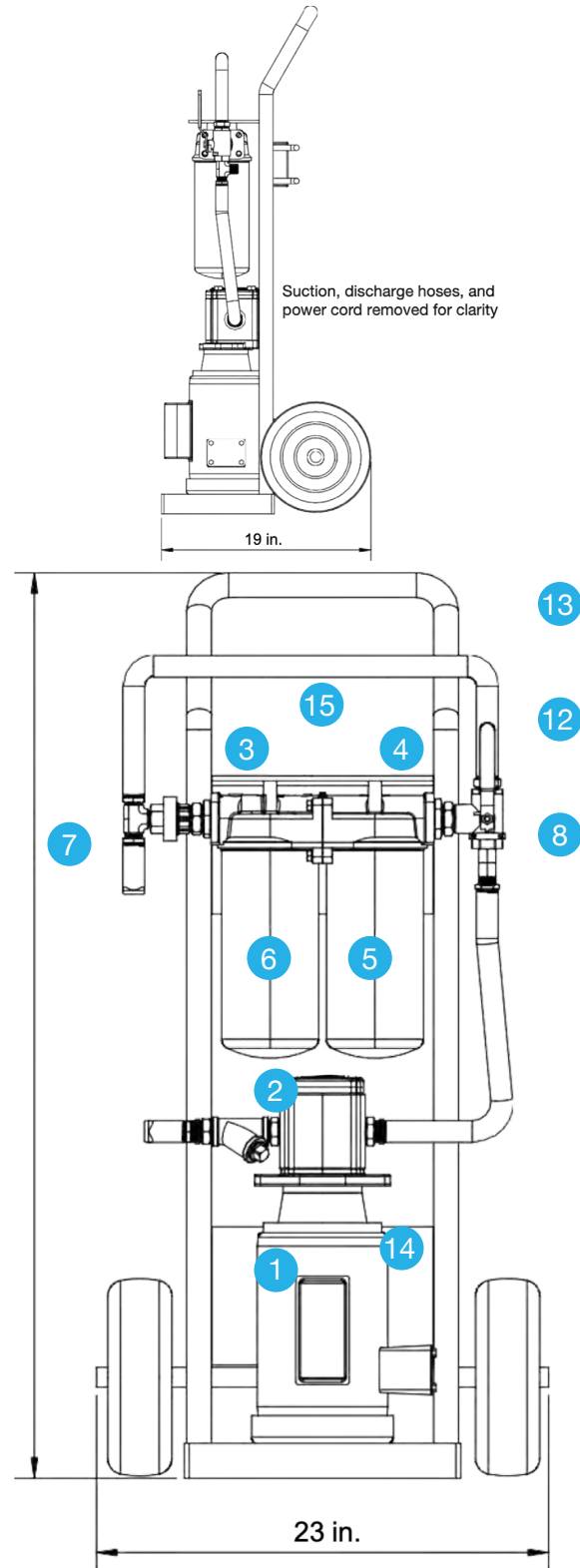
- 19"L x 23"W x 46"H

Contact us for more options

Filter Cart

By the Numbers:

| Item # | Description | Qty. |
|--------|----------------------------|------|
| 1 | Motor | 1 |
| 2 | Gear Pump | 1 |
| 3 | Filter Head | 2 |
| 4 | Pressure Gauge | 1 |
| 5 | Filter Element 1 | 1 |
| 6 | Filter Element 2 | 1 |
| 7 | Post-Filter Sample Valve | 1 |
| 8 | Pre-Filter Sample Valve | 1 |
| 9 | 25' Cord | 1 |
| 10 | Suction Hose 40" | 1 |
| 11 | Pressure Hose 40" | 1 |
| 12 | Manual Filter Bypass Valve | 1 |
| 13 | Filter Bypass | 1 |
| 14 | Pump Relief 65psi | 1 |
| 15 | Filter Change Indicator | 1 |



Filter Cart

Customize your Filter Cart

To Order Your TTI Filter Cart:

TTFC - [A] - [B]

Pump/Motor Combo [A]

2A - 2GPM 115V 60HZ 1PH

5A - 5GPM 115V 60HZ 1PH

10A - 10GPM 115V 60HZ 1PH

Suction/Discharge Connectors [B]

A - ISO A

B - ISO B

N - MNPT

1" on Suction Side
3/4" on Discharge Side

Replacement Filters - Microglass:

| Part # | Length | Micron Rating β 1000 | Seal Type |
|--------|--------|-------------------------------|-----------|
| TT75S | 8 | 1 | B = Buna |
| | | 3 | V = Viton |
| | | 6 | |
| | | 10 | |
| | | 25 | |
| | | 25CWA* | |

Water Removal

| Part # | Micron Rating (β 1000) | Water Holding Capacity |
|---------------|-------------------------------|------------------------|
| TT75S-8-25CWA | 25 μ m | 15oz (425ml) |